

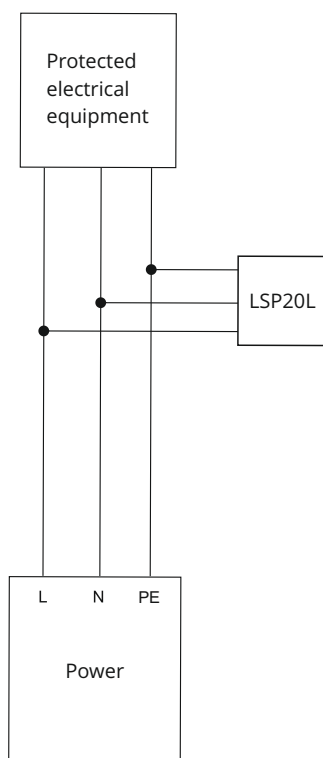
Luminaire Surge Protector LSP20L

Ordering code: LSP20L-500

LSP20L is a device that protects other electronic devices from surges in electrical power or transient voltage, that flow from the powerline.

Features

- ✓ Protection to LED luminaires against dangerous power transients
- ✓ Maximalize the lifetime of outdoor lighting
- ✓ For outdoor industrial and commercial applications
- ✓ High discharge capacitance
- ✓ Low voltage protection level



Parameter	Value
Rated voltage	AC 320 V
Nominal discharge current	5 kA
Max. discharge current	10 kA
Nominal discharge voltage	10 kV
Max. discharge voltage	20 kV
Voltage protection level	1.1 kV
Response time	25 ns
IP rating	IP67
Dimensions (LxWxH)	81x37.6x13.5mm
Weight	57 g
Operating ambient temperature	-40 °C to +80 °C
Enclosure material	Thermoplastic
Compliance with	EN 61643-11:2012