

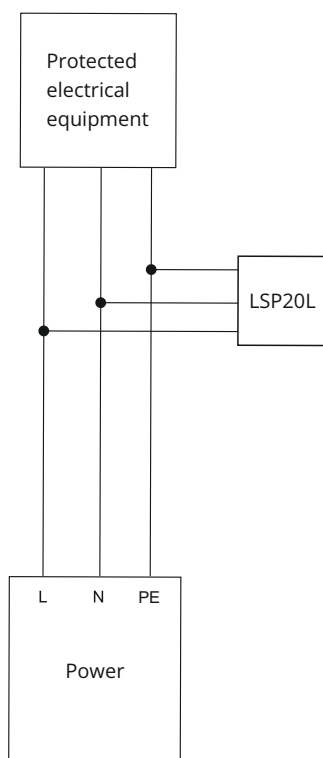
## Luminaire Surge Protector

Ordering code: LSP10 (max. discharge current - 10kA)  
LSP20 (max. discharge current - 20kA)

A device that protects other electronic devices from surges in electrical power or transient voltage, that flow from the powerline.

### Features

- ✓ Protection to LED luminaires against dangerous power transients
- ✓ Maximalize the lifetime of outdoor lighting
- ✓ For outdoor industrial and commercial applications
- ✓ High discharge capacitance
- ✓ Low voltage protection level



Parameter	Value
Rated voltage	AC 320 V
Nominal discharge current	5 kA / 10 kA
Max. discharge current	10 kA/ 20 kA
Nominal discharge voltage	10 kV / 20 kV
Max. discharge voltage	20 kV / 40 kV
Voltage protection level	1.1 kV / 1.5 kV
Response time	25 ns
IP rating	IP67
Dimensions (LxWxH)	81x37.6x13.5mm
Weight	57 g
Operating ambient temperature	-40 °C to +80 °C
Enclosure material	Thermoplastic
Compliance with	EN 61643-11:2012