

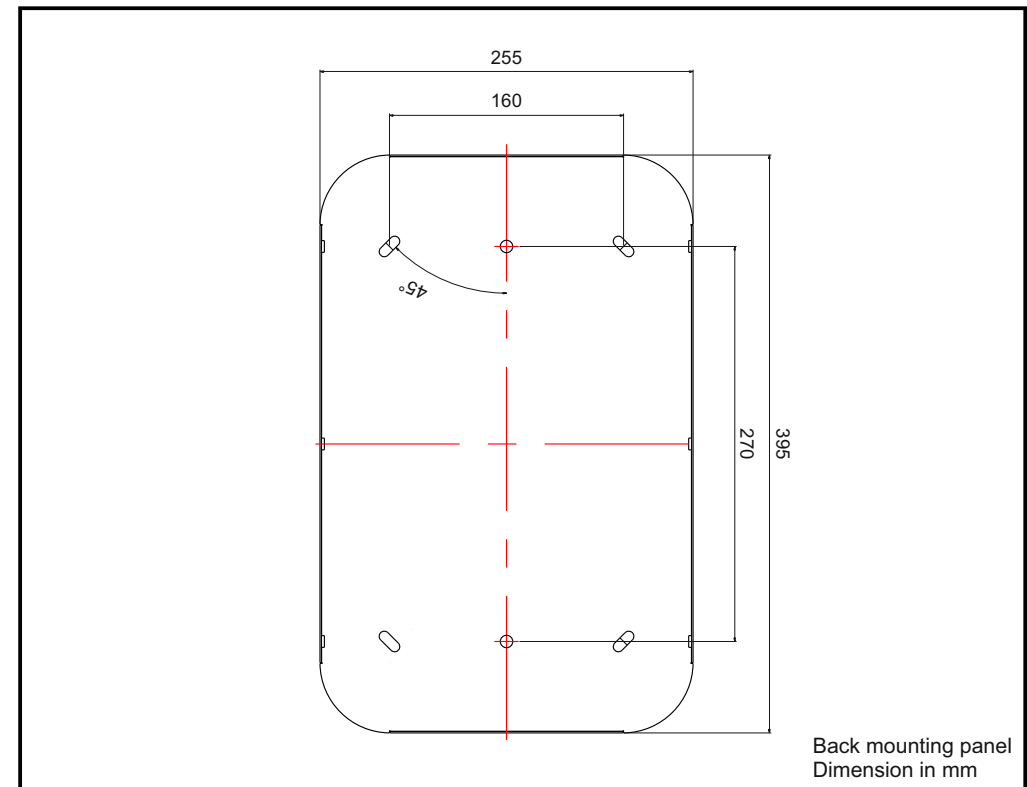
Introduction

LUMiCHARGER WM is electric vehicle charger, which can be installed as stand-alone EV charger (one or two sockets), wallpoint EV charger or EV charger sockets integrated into public lighting. LUMiCHARGER WM can work independently or communicate with Seak lighting control system to negotiate the power available for electric vehicle (EV) charging. During the day, street lighting remains in standby mode and we use full line capacity for EV charging. At night part of line capacity is used for lighting and the rest for cars. Further, the power saved by dimming of luminaires is used to increase the charging rate we can deliver to the EVs.

1 Mounting

Remove the screws around the outside of the unit to separate the back mounting panel from the front of the unit, keep the screws to one side. Mount the wall mounting plate onto your chosen surface with suitable screws and wall plugs (M8), use a spirit level.

Quick Installation Guide for Electric Vehicle Charger LUMiCHARGER WM



Introduction

LUMiCHARGER WM is electric vehicle charger, which can be installed as stand-alone EV charger (one or two sockets), wallpoint EV charger or EV charger sockets integrated into public lighting. LUMiCHARGER WM can work independently or communicate with Seak lighting control system to negotiate the power available for electric vehicle (EV) charging. During the day, street lighting remains in standby mode and we use full line capacity for EV charging. At night part of line capacity is used for lighting and the rest for cars. Further, the power saved by dimming of luminaires is used to increase the charging rate we can deliver to the EVs.

1 Safety notes

Electric installation a must be hardwired to an existing domestic installation and comply with the applicable national regulations. Local company is responsible for design and installation according to local regulations.



Not observing the safety instructions can result in risk of death, injuries and damage to the device! The device manufacturer assumes no liability for resulting claims!

2 Power supply

The electrical connection should be led over the prepared concrete base with sufficient reserve to connect the charger.

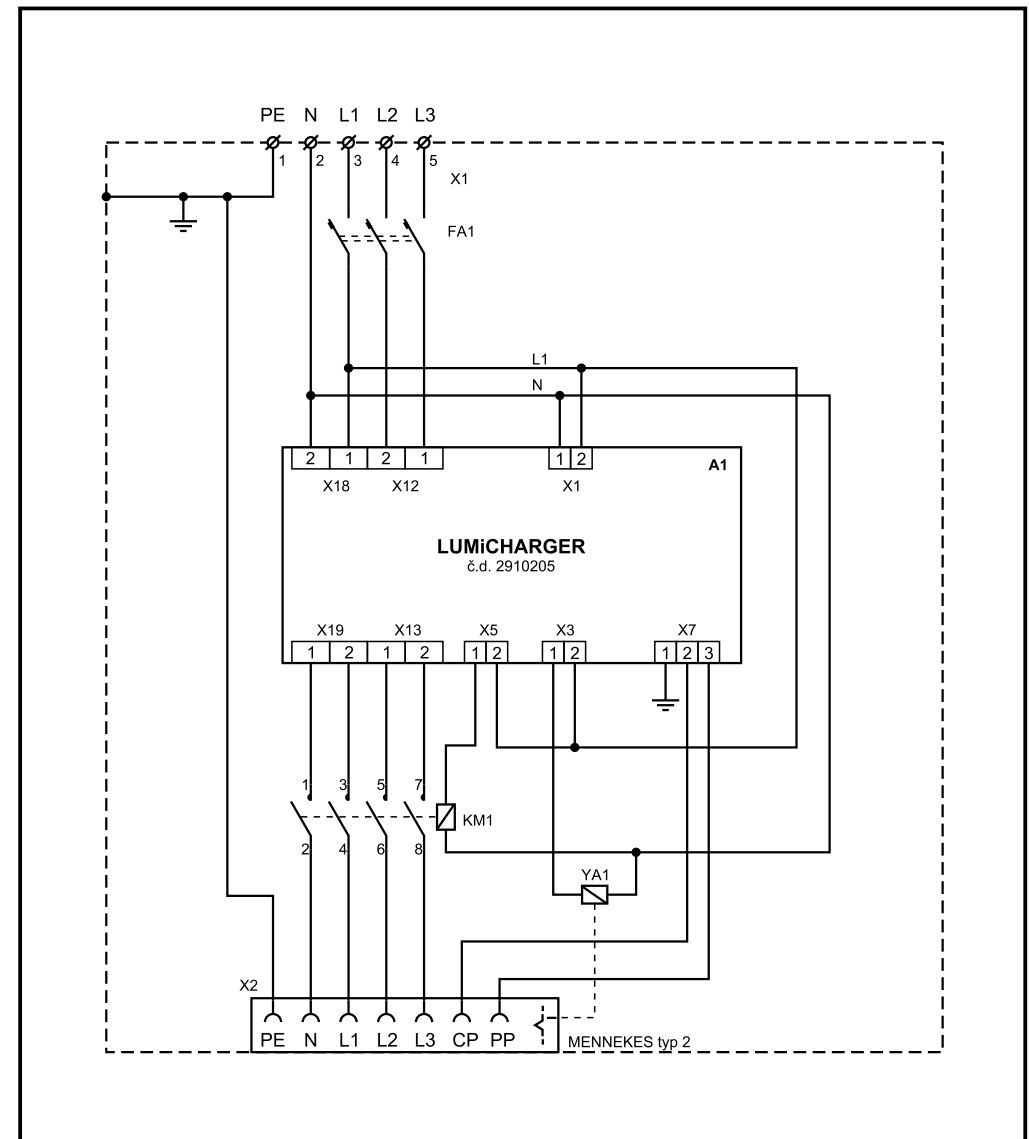
The power line with the EV chargers must be equipped with appropriate circuit breakers and a current protector. LUMiCHARGER has a built-in current protector function to temporarily disconnect single charger only and provide extra level of protection. However, a standard RCD needs to be also installed on the line. Seak recommends following types with parameters: Rated Current - 25 A, Rated Residual Current - 30 mA, A type, 4-poles

3 Prepare cable insertion

Your chosen cable will need to enter the unit through the cable gland at the bottom or the entry hole at the back of the unit. When connecting the cable to the inside of the unit you will first need to remove the cover plate at the rear.



Make sure the main switch of the power supply group for the product is set to the OFF position. Do a voltage check to make sure there is no electrical power on the cables or on the system.



4 Connect voltage supply

The 3F + N + PE cable type is used for installation, shielded cables are optional if required by local law. The optional cable shielding must be attached to the PE Rail at both ends of the cable. Shorten the connection wires to the appropriate length (as short as possible). The protective conductor PE must be longer than the other conductors!

5 Connect PE of power cable

Cut the PE wire of the power cable to the correct length to reach the PE connector. Use wire stripper pliers to remove 20 mm of the insulation from the end of the PE wire. Attach a cable lug to the end of the PE wire. Loosen the bolt of the PE connector. Attach the PE wire onto the PE connector and tighten the bolt.

6 Connect power cable

Cut the 3 phase, neutral wire of the power cable to the correct length to reach the connectors. Use wire stripper pliers to remove 20 mm of the insulation from the ends of the wires and attach the cable lugs. Insert the flat-head screwdriver (5.5 mm) into the supply terminal as shown. The screwdriver must rest on the housing. Press the screwdriver straight into the terminal until the contact opens completely. Insert connection wire into the designated terminal opening. Pull out the screwdriver straight.

7 Commissioning preparation

Before commissioning, all construction parts must be completed, as well as the mounting of the charger and its connection. The owner of the charging station is obliged to provide for a review of the charger in accordance with valid legislation. The expert review is carried out by persons with professional competence to perform the inspection of electrical equipment with qualification in accordance with STN 33 1500 and with Coll. of Law. 508/2009.

8 Technical information

Parameter	Value
Input voltage	AC 3x230 V
Total maximum output power	22 kW
Maximum output current	3x32 A
Own consumption	max. 11 W
Communication interface	2-way powerline QM-50-SSI3 (asynchro)
Operating ambient temperature	-25 °C ~ +50°C