

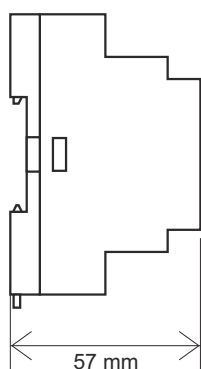
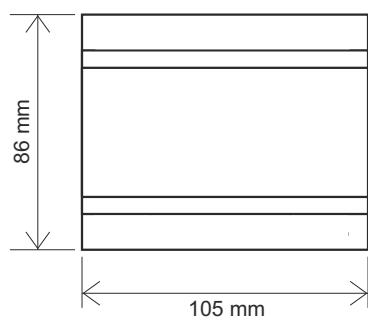


## Modul of digital inputs MDI-08

Ordering code: MDI8100

### Features

- ✓ Selectable own address RS485 (1 to 254)
- ✓ Communication RS485 Modbus
- ✓ 9x Interface for scannig voltage presence
- ✓ Power on indication



Parameter	Value
Input voltage	DC 12V ~ 24V
Consumption	0,25 W
Current	15 mA (12 V)
Input	9x input Inactive: 0 V ~ 4 V Active: 12 V ~ 24 V
Input current	2,6 mA ~ 10 mA (12 V ~ 24 V)
Communication interfaces	RS485 (9600bps)
Operating ambient temperature	-25 °C to +40 °C
IP Rating	IP20
Dimensions (LxWxH)	105x86x57mm (5M)
Weight	166g